

ELECTRIC CIRCUIT DIAGRAMS

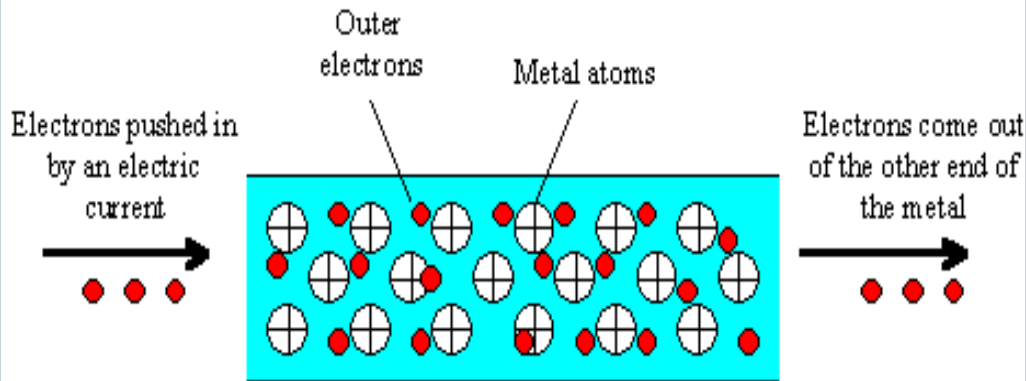


Electric Current = the uniform motion of electrons through a conductor

Switch = an object that controls the flow of electrons

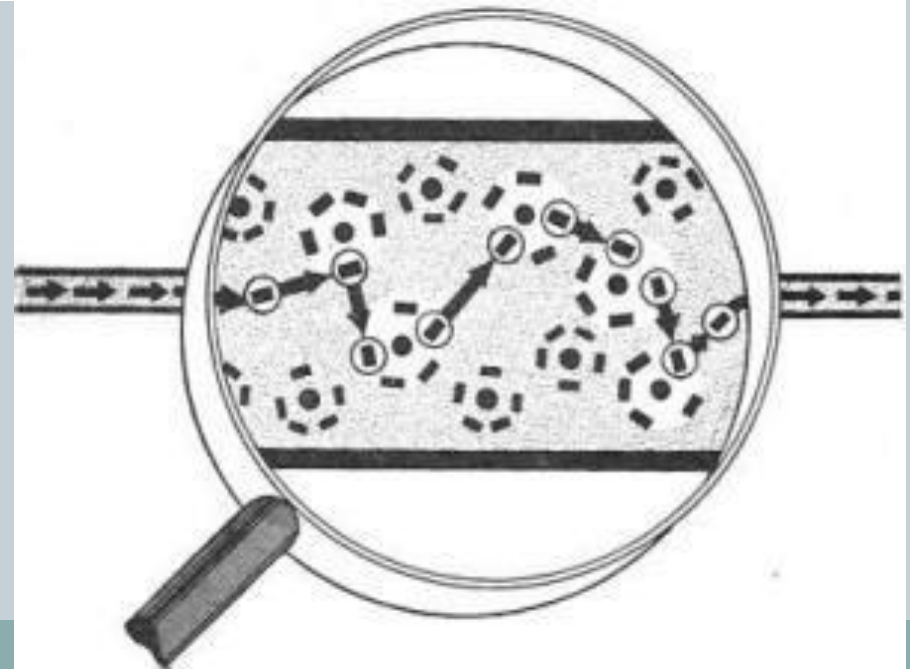
http://www.ehow.com/video_4416871_how-electron-flow-occurs-electronic.html

Electrons Flow through Conductors

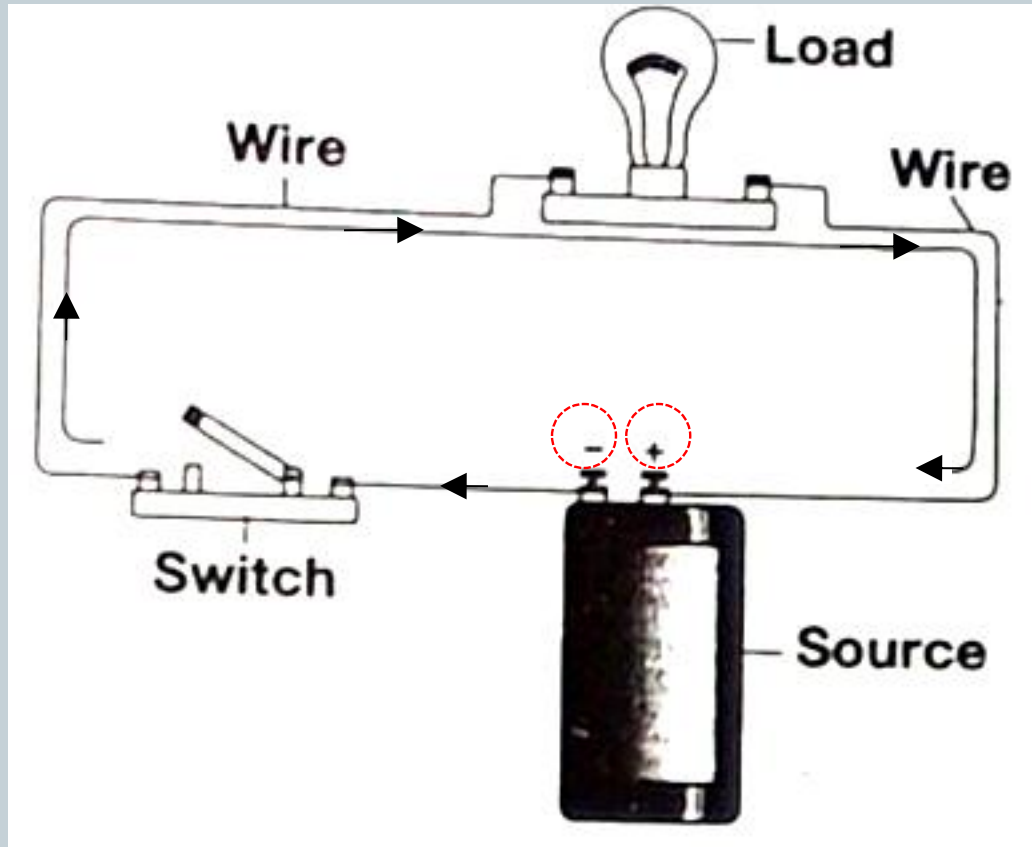


The only solids which conduct electricity are **metals & graphite** (a form of carbon)

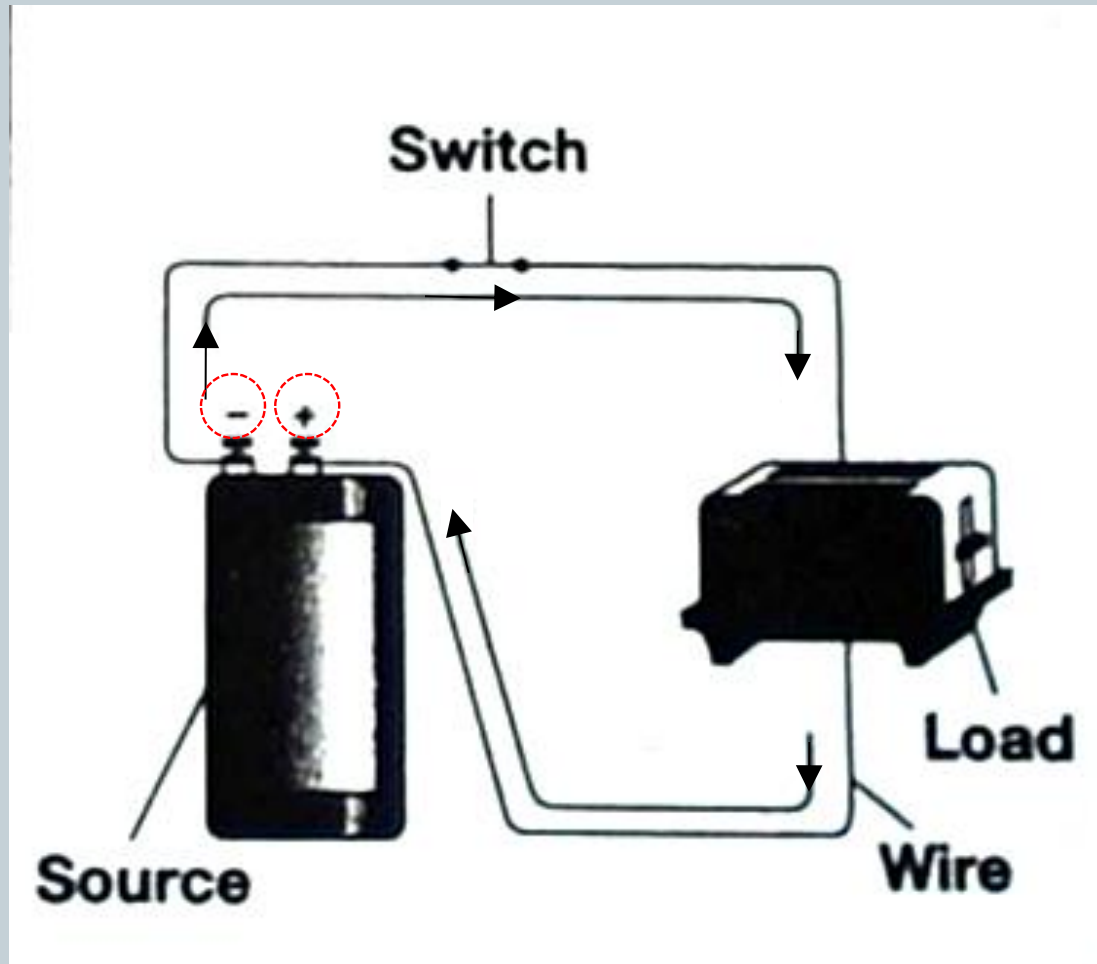
The **electric current** flowing through the wire is a **flow of electrons**.



Electron Flow Diagrams

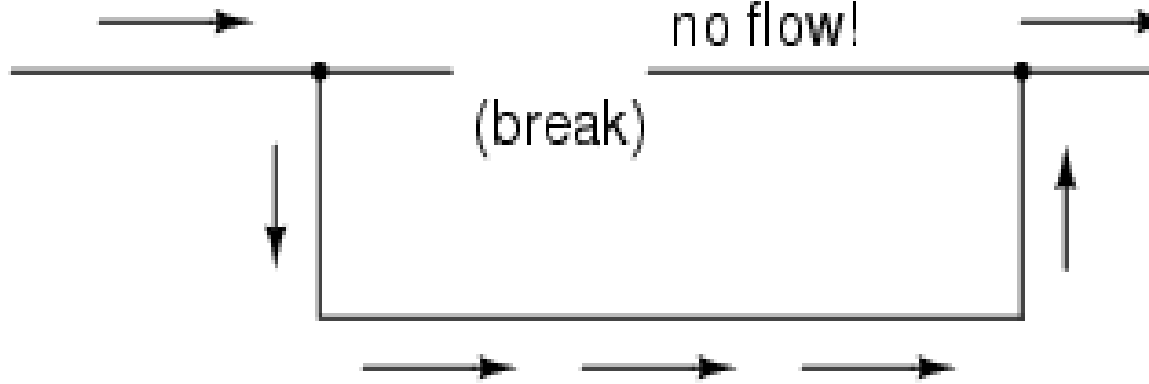


Electron Flow Diagrams

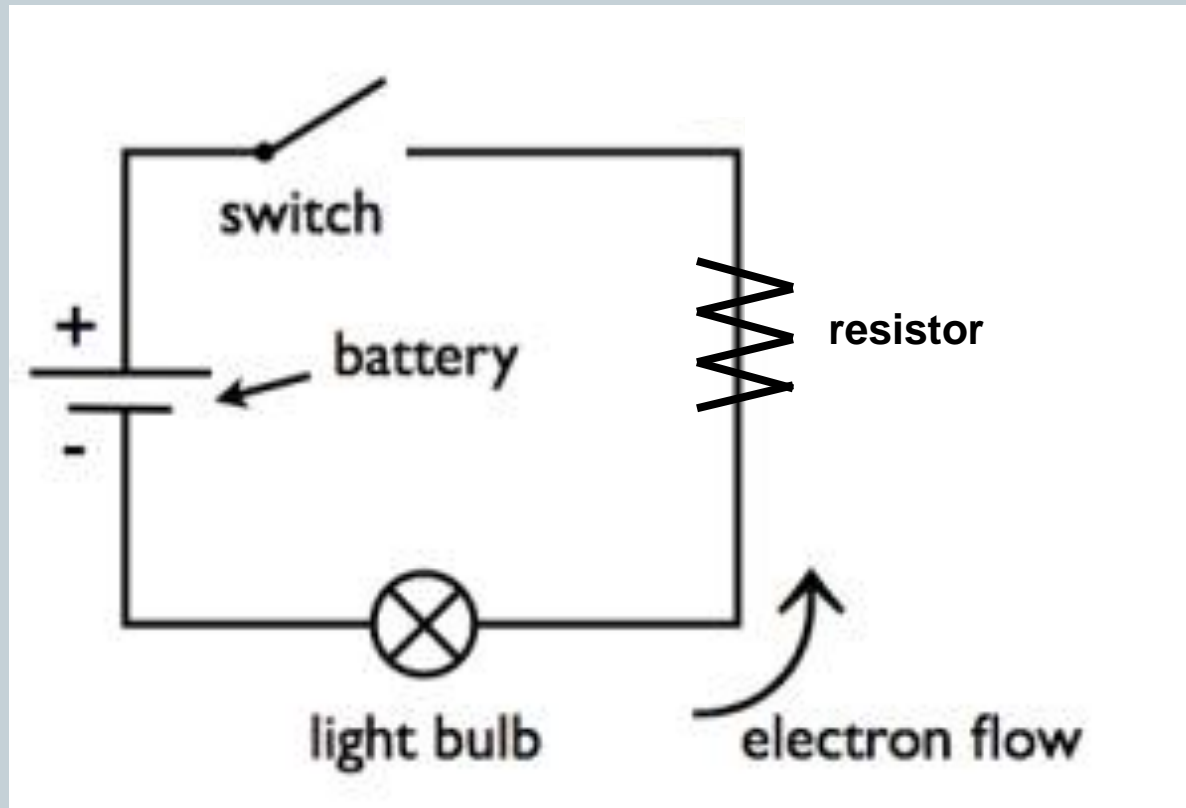




Electron
Source



Electron
Destination



<http://www.rkm.com.au/ANIMATIONS/animation-electrical-circuit.html>